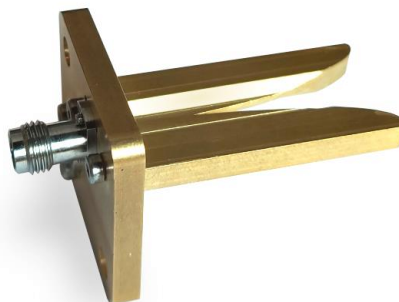


# Wideband High Gain Antenna

EXCL-CVA-2467

## Description

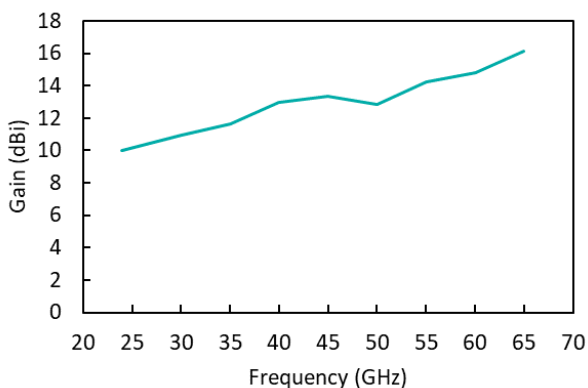
The EXCL-CVA-2467 is extremely wideband and high efficient antenna for 5G FR2 test & measurement applications. It is a single polarized antenna with stable gain and good cross polarization discrimination (XPD) properties over the frequency range. Due to its extreme wideband operation, antenna is cost-effective solution for accurate measurement applications.



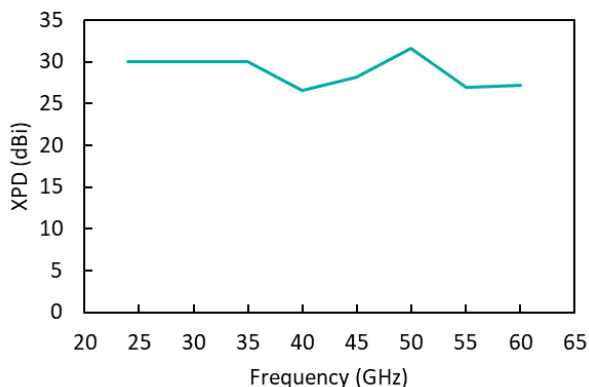
## Features

- Frequency range 24 GHz to 67 GHz
- Single polarized
- Linear high gain 10 – 16 dBi
- Low sidelobe levels
- Low VSWR
- 1.85 mm connector
- Ideal for 5G FR2 applications

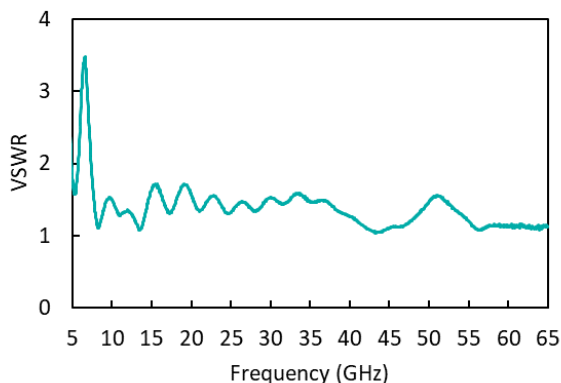
Typical boresight gain



Typical boresight XPD

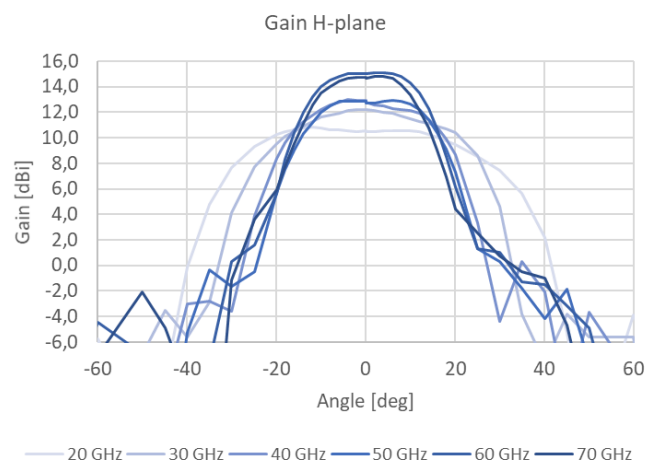
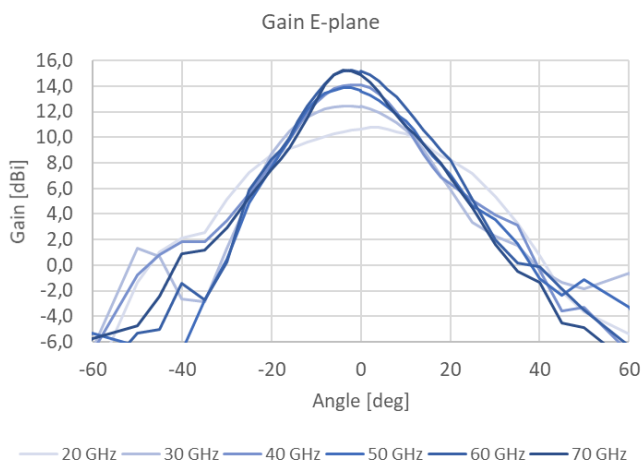


Typical VSWR



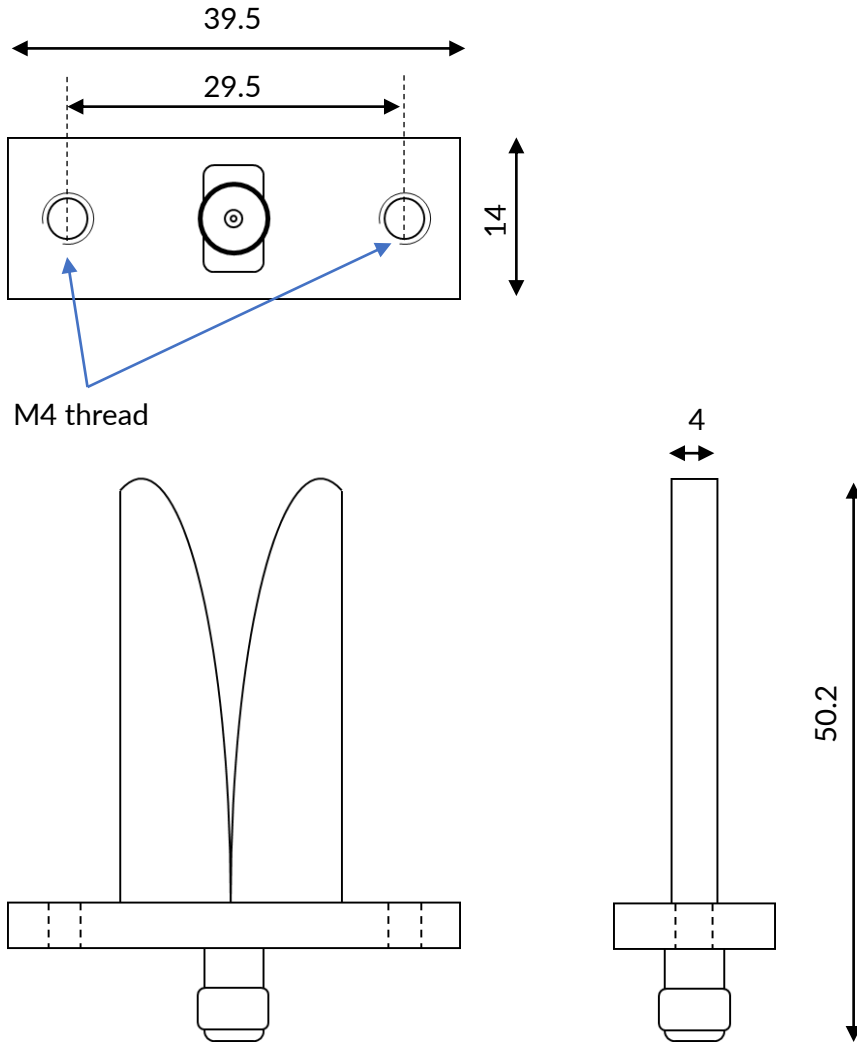
February 09, 2023

Specifications	EXCL-CVA-2467
Frequency range	24 GHz to 67 GHz
Polarization	Single, Linear
Input impedance	50 $\Omega$
S11	Typ. < -10 dB
Gain	10 – 16 dBi
Directivity	10 – 16 dBi
XPR	> 25 dB
Connector	1.85 mm female (V-type)
Dimensions [H x Diam.]	14 x 39.5 x 50.2 mm
Mounting	2 x M4 female thread
Weight	36 g



February 09, 2023

## Dimensions (mm)



February 09, 2023